

HYDRAULIC WELDING POSITIONER - WPH

WPH-06 | WPH-10 | WPH-20 | WPH-30 | WPH-50 | WPH-100 | WPH-200

WPH

Lascentrum has a comprehensive range of welding positioners for automatic welding. These very versatile handling tools enable welding to be carried out in the optimum positions to benefit the quality of the work. Lascentrum's positioners are with capacities ranging for 600 to 20.000kgs.

Lascentrum WPH Series hydraulic elevating & tilting positioners are the best solution to the problem of lifting, rotating and tilting demanding work pieces.

Height, angle and speed are all adjustable.

They have infinitely variable height control as a result of a hydraulic cylinder and remote control

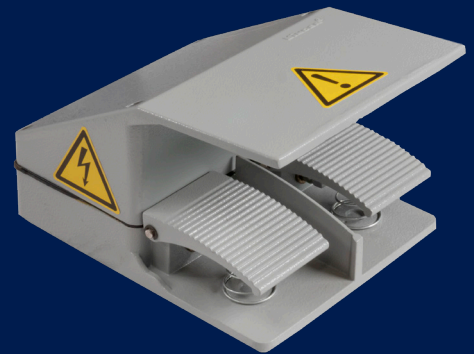


SCOPE OF DELIVERY

1 MAIN BODY

1 ELECTRIC CONTROL SYSTEM:

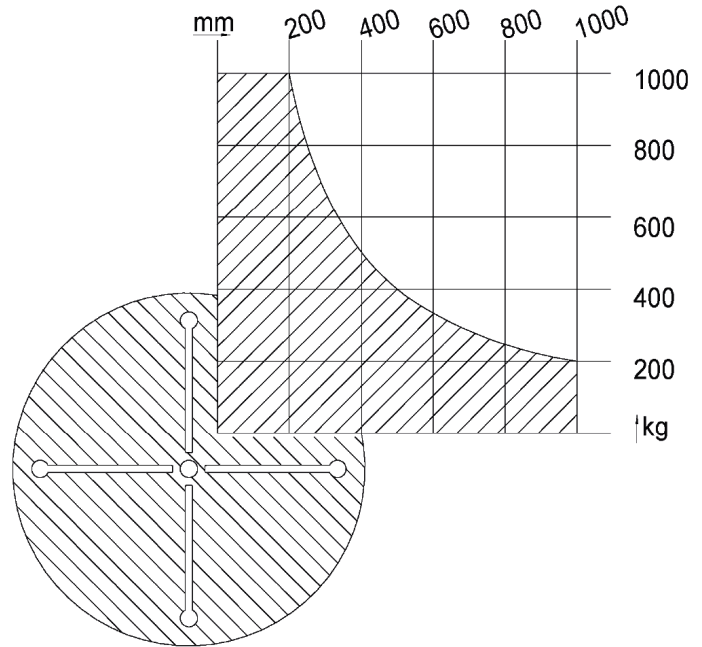
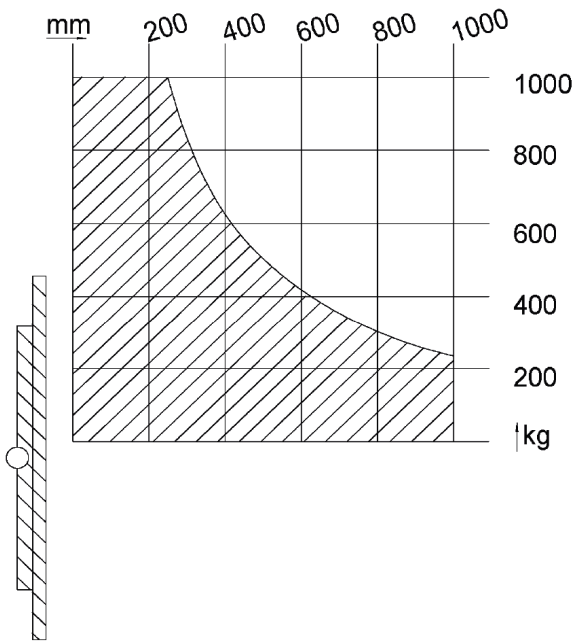
- 1 control panel,
- 1 remote pendant,
- 1 foot switch



Article code	Max. load	Distance (G) of gravity	Eccentricity (E) * Distance	Rotation speed	Tilting range	Table diameter
292.WPH-06	600 kg	250 mm	200 mm	0.1 - 1 rpm	-45° - 135°	900 mm
292. WPH-10	1.000 kg	250 mm	200 mm	0.1 - 1 rpm	-45° - 135°	900 mm
292. WPH-20	2.000 kg	250 mm	200 mm	0.1 - 1 rpm	-45° - 135°	1000 mm
292. WPH-30	3.000 kg	300 mm	200 mm	0.05 - 0.5 rpm	-45° - 135°	1400 mm
292. WPH-50	5.000 kg	300 mm	200 mm	0.05 - 0.5 rpm	-45° - 135°	1500 mm
292. WPH-100	10.000 kg	400 mm	200 mm	0.05 - 0.5 rpm	-45° - 135°	2000 mm
292. WPH-200	20.000 kg	600 mm	250 mm	0.05 - 0.5 rpm	-45° - 135°	2000 mm

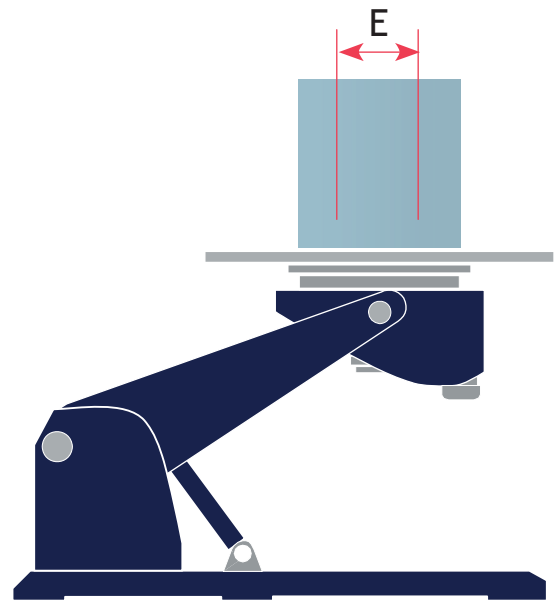
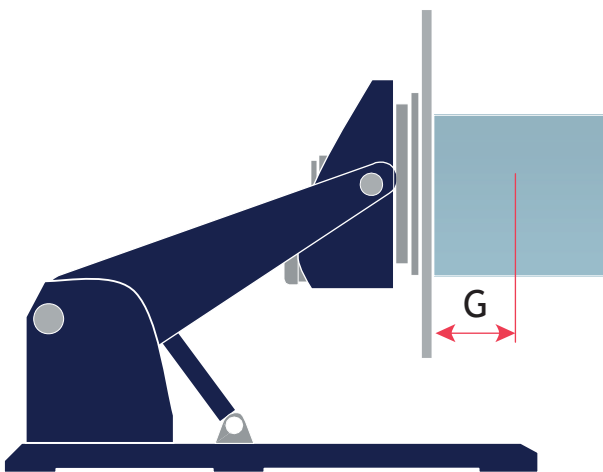
WPH

Please note when you select your Positioner, the gravity center and eccentricity of your workpiece including chuck. The right two figures show WRS-10 positioner's relationship of gravity center distance and Eccentricity distance with workpiece



GRAVITY CENTER (G) SKETCH: FIG 1

ECCENTRICITY CENTER (E) SKETCH: FIG 2



OPTIONAL: FAST CLAMPING CHUCKS

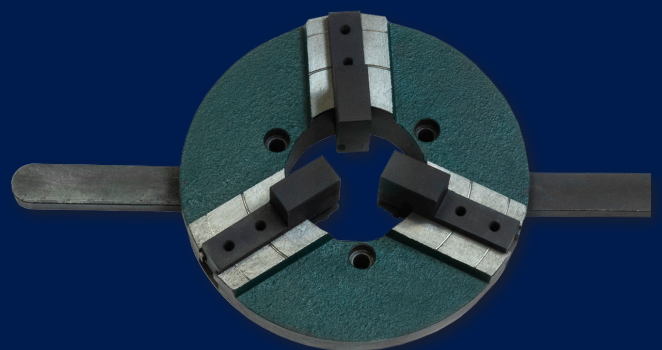
307.WPK-200 - 20-210mm, 30kg

307.WPK-300 - 80-280mm, 120kg

307.WPK-400 - 120-380mm, 240kg

307.WPK-500 - 200-500mm, 600kg

307.WPK-600 - 150-620mm, 1000kg





EXPERIENCE THE CONVENIENCE OF EVERYTHING UNDER ONE ROOF

At Lascentrum, you can find everything you need regarding products for welding and safety. Lascentrum has been established in 1988 and now imports a complete range of welding consumables, gouging electrodes, gas welding & cutting equipment, welding blankets, safety products and accessories.

CONTACT

Nieuwland Parc 1
2952 DA Alblasserdam,
The Netherlands

T:+31 (0)78 642 96 56
F:+31 (0)78 642 96 86

www.lascentrum.com
info@lascentrum.com

