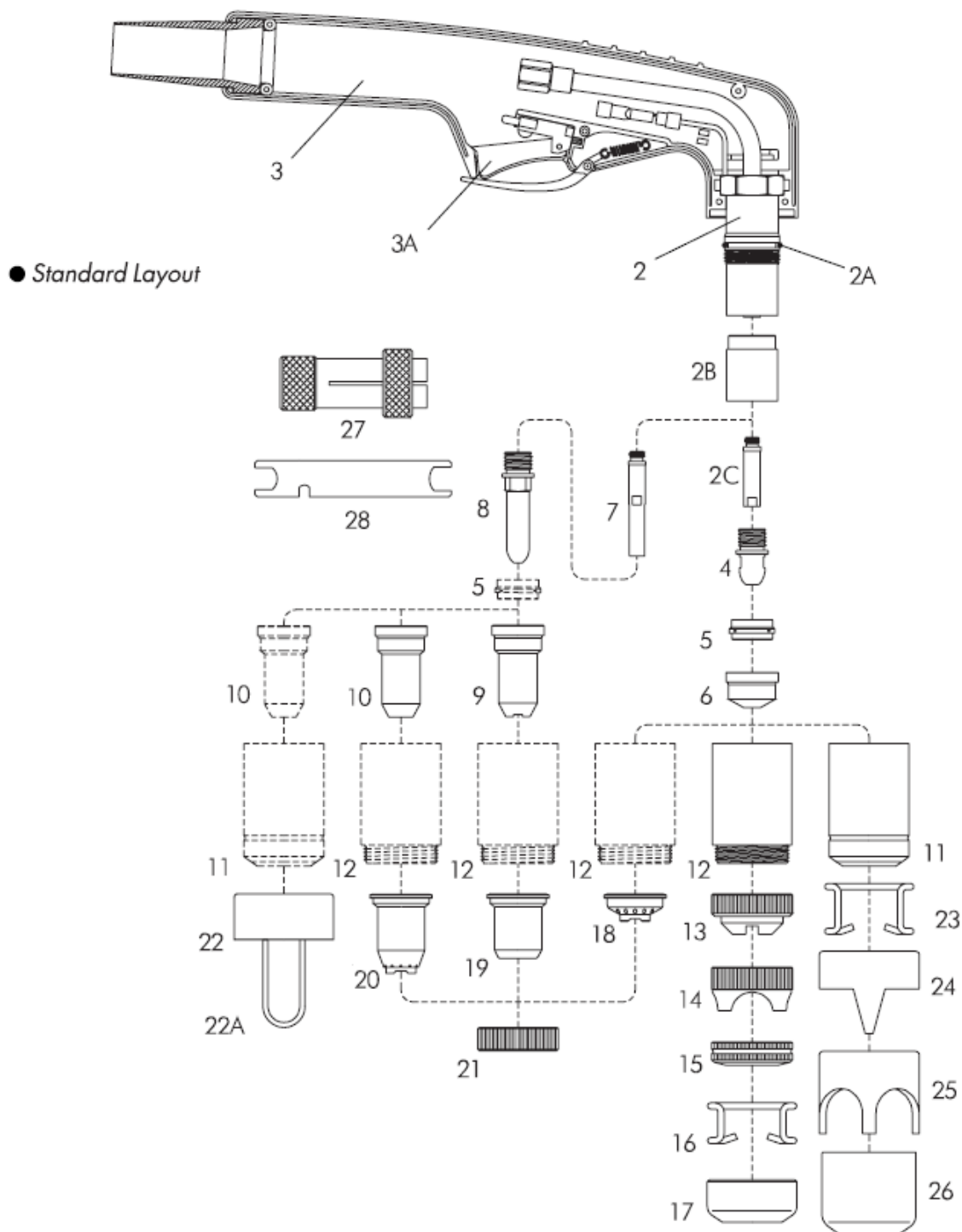




LT-141 PLASMA HAND CUTTING TORCH

Suitable for: CUT100 | Cable: 6 meters | Duty cycle 60%: 150A

LT-141 Plasma hand cutting torch



LT-141 PLASMA HAND CUTTING TORCH DETAILS

Cutting Current	Max. 150A
Duty Cycle 80%	150A
Gas Supply	Air
Gas Supply Pressure	4.4 – 5 Bar (70 Psi)
Ignition	High Frequency

LT-141 PLASMA HAND CUTTING TORCH

Product Code	Description	Cable
308.CUT100/LT141-6	LT-141 hand cutting torch for CUT100 (70°)	6 meters

LT-141 Plasma hand cutting torch

LT-141 PLASMA HAND CUTTING TORCH PARTS

Artikelnummer	Omschrijving	Tekeningnummer
375.6201	Hand torch head	2
375.EA0131	O-ring for torch head	2A
375.60080	Front insulator	2B
375.05004	Air distributor	2C
375.09706	Handle with switch	3
375.07301.20	Switch	3A
375.PR101	Electrode	4
375.PE101	Swirl ring	5
375.PD101-11	Cutting nozzle Ø 1.1 mm	6
375.PD101-14	Cutting nozzle Ø 1.4 mm	
375.PD101-17	Cutting nozzle Ø 1.7 mm	
375.PD101-19	Cutting nozzle Ø 1.9 mm	
375.PD101-30	Gouging tip Ø 3,0 mm	
375.05005	Extended Diffuser	7
375.52538	Electrode long	8
375.51159	Cutting nozzle long (50 A)	9
375.51159.14	Cutting nozzle long Ø 1.4 mm (voor 51958 +51959 of 60380)	10
375.51159.17	Cutting nozzle long Ø 1.7 mm (voor 51958 +51959 of 60380)	
375.51159.19	Cutting nozzle long Ø 1.9 mm (voor 51958 +51959 of 60380)	
375.PC101/102	Nozzle holder (long life)	11
375.PC103/131	Contact nozzle retaining cap	12
375.PC103/131	Contact nozzle retaining cap, (Max. life)	
375.CV23	Spacer for contact cutting	13
375.CV39	Long spacer for contact cutting	14
375.51952	Spring holder protection nut	15
375.51911	Spacer spring for 51952	16
375.51953	Gouging spacer	17
375.51950	Spacer for contact cutting, hand	18
375.CV8	Shield cup, hand (max. 50 A for use with 375.51959 only)	19
375.CV9	Spacer for contact cutting, hand (for use with 375.51959 only)	20
375.51959	Locking nut	21
375.60380	Spacer complete with springs	22
375.60381	Spare springs	22A
375.CV11	Spacer spring	23
375.CV12	Two-point spacer	24
375.CV14	Crown Spacer	25
375.CV13	Gouging spacer	26
375.GR60	Extractor for swirl ring	27
375.60368	Electrode wrench	28



EXPERIENCE THE CONVENIENCE OF EVERYTHING UNDER ONE ROOF

At Lascentrum, you can find everything you need regarding products for welding and safety. Lascentrum has been established in 1988 and now imports a complete range of welding consumables, gouging electrodes, gas welding & cutting equipment, welding blankets, safety products and accessories.

CONTACT

Nieuwland Parc 1
2952 DA Alblasserdam,
The Netherlands

T:+31 (0)78 642 96 56
F:+31 (0)78 642 96 86

www.lascentrum.com
info@lascentrum.com

