

ROBUSTO WELDING SCREEN

COMPOSITION

- For steel basic welding screen:
- Carbon steel tubes, profiles, powder coated.
- Contain no toxic parts.
- Contain no inflammable parts.
- Contain no electrical parts.

USE AND HANDLING

Coating and tread surface castors will be damaged by open fire or intensive heat. There is a possibility that the screen will stuck by rough, unequal floor conditions. Oil or grease pollution do not have negative effects on the screens condition.

MAINTENANCE AND SAFETY

- a. Bolts must be periodic checked at free assembly.
- b. Castors must be checked on contamination to avoid malfunction.
- c. It is not safe to step on the screen for mobile purposes.
- d. Beams are only applicable for use of pvc strips, curtains, sheets or blankets, not for heavy weight products which overload the profile and castors.
- e. It is not recommended for hoisting operations.
- f. Arm is only suitable for use of strip or curtain separation It is not recommended for hoisting operations.

FEATURES

Made from solid welded carbon steel tube and profiles. Screen is free moveable in any direction, castors can be turned for 360°. To apply the brake option on two castors, screen can be fixed at one position.

Poles are provided with a hinge part on top at both sides to apply a swivel arm, to extent the separation at one or both sides. Screen will be supplied in loose parts and must be fixed with included metric fasteners by basic tools.

DESIGN

Distance between floor level and upper beam is 202 cms, total width 216 cms. To obtain a stable construction, both foot profiles do have a length of 75 cms.

TECHNICAL SPECIFICATION

Type of welding screen: heavy duty, mobile screen

Total weight, basic screen: 24 kgs.

Maximum static load beam: 500 N

Maximum dynamic peak load beam: 700 N

Range: free moveable, 360°

Overall size height: 2100 mm

Functional width: 2160 mm

Fasteners: Metric

Castor: Ø75 mm

Castor: 2 with break, 2 without brake

Castor: maximum load 60 kgs

Castor: Range 360°

Operation: by hand

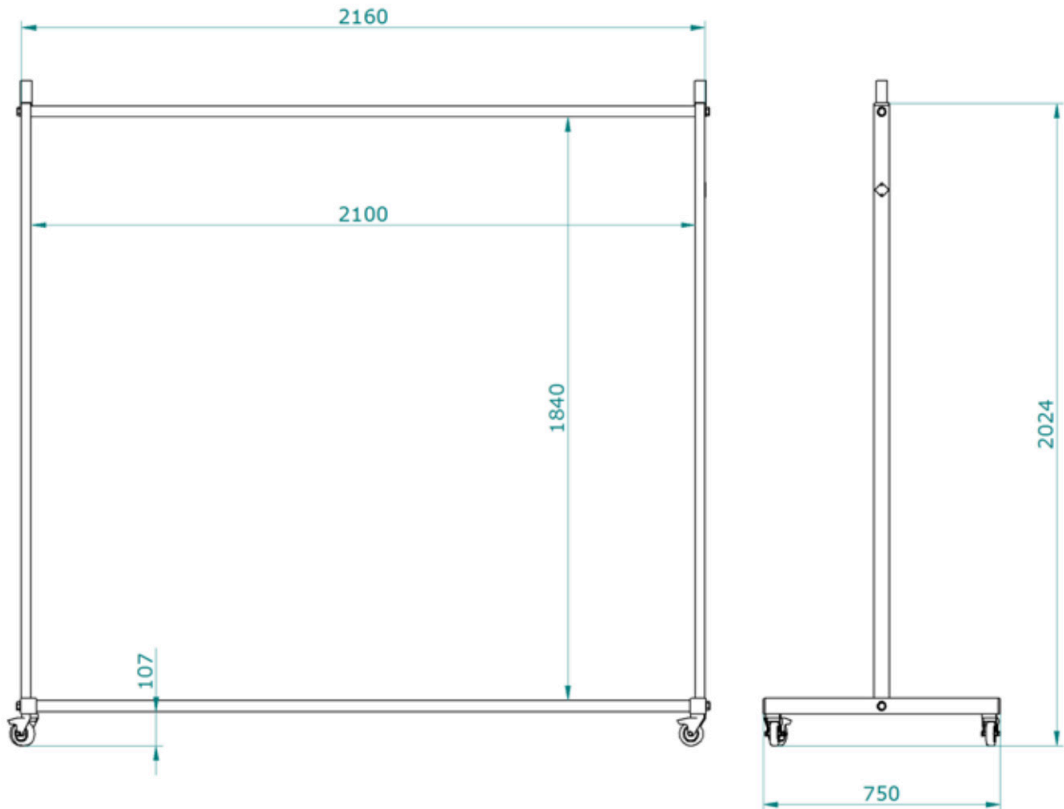
Coating: powder coated in grey RAL7035

Materials: steel tube and profiles

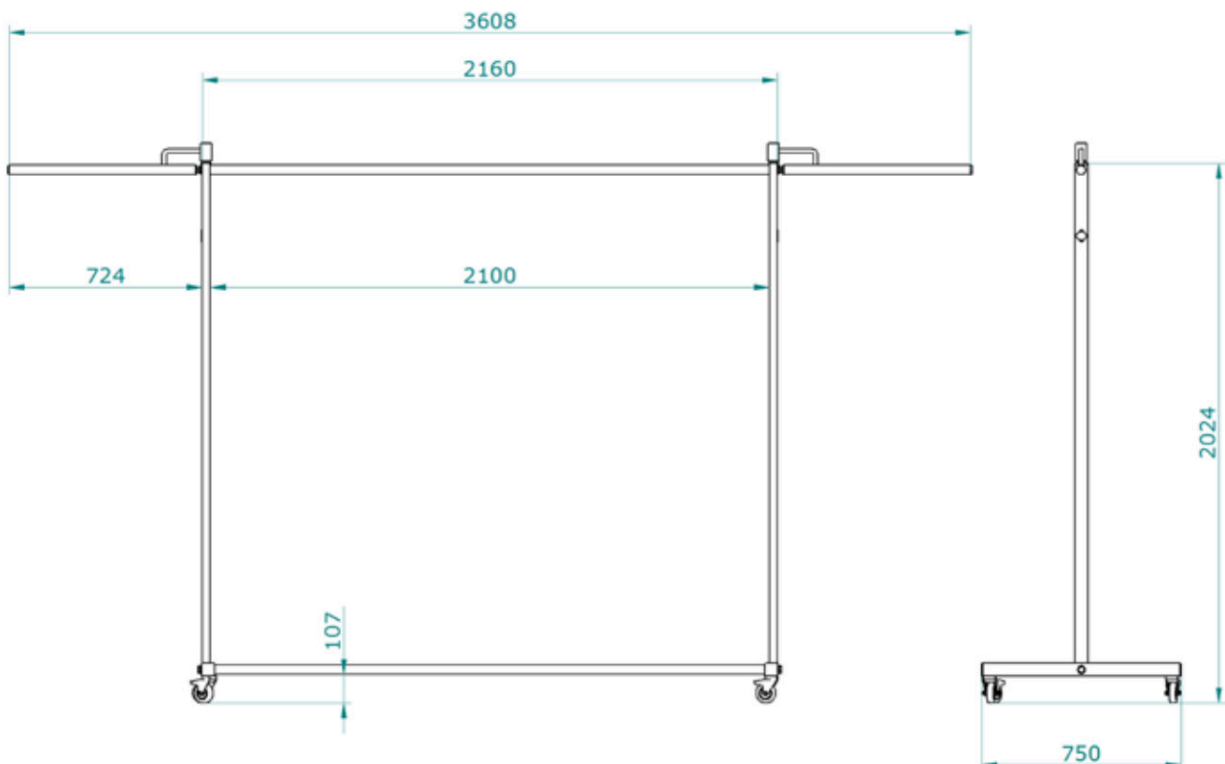
Application: for internal use

ROBUSTO WELDING SCREEN

DIMENSIONS ROBUSTO SINGLE SCREEN

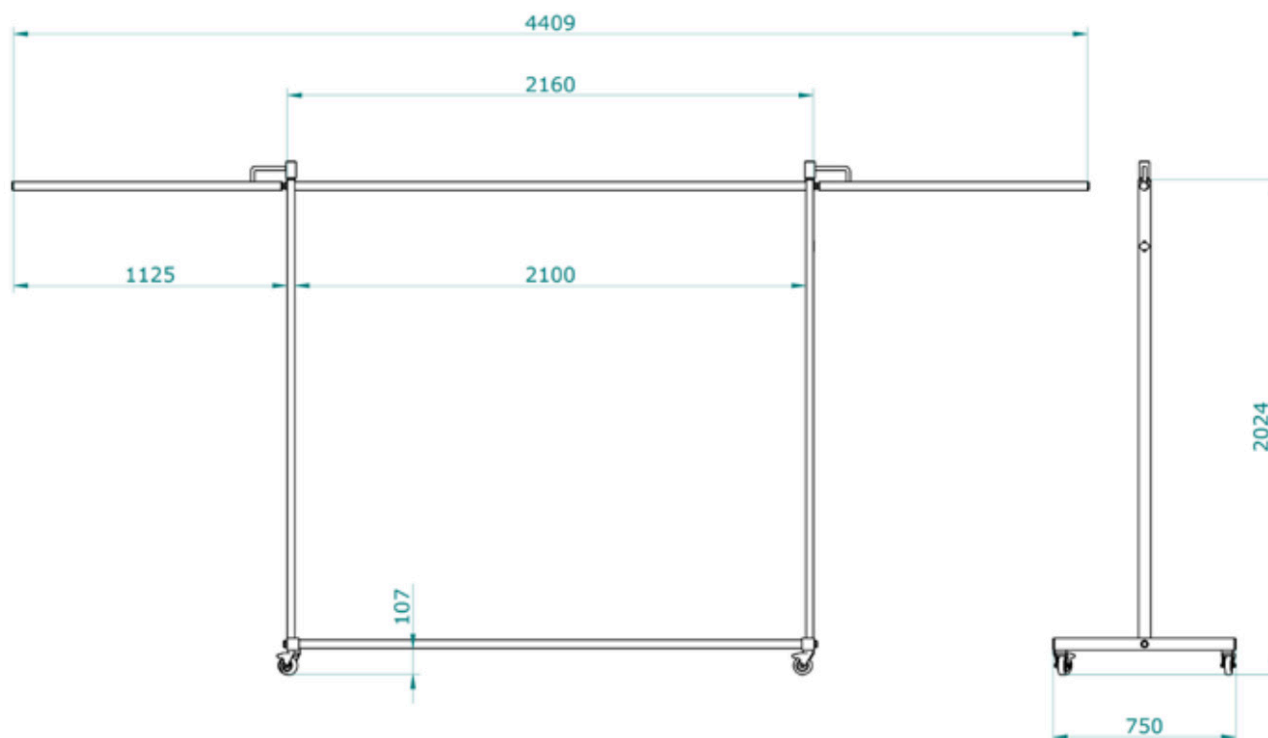


DIMENSIONS ROBUSTO TRIPTYCH SCREEN SWIVEL ARMS 70 CM

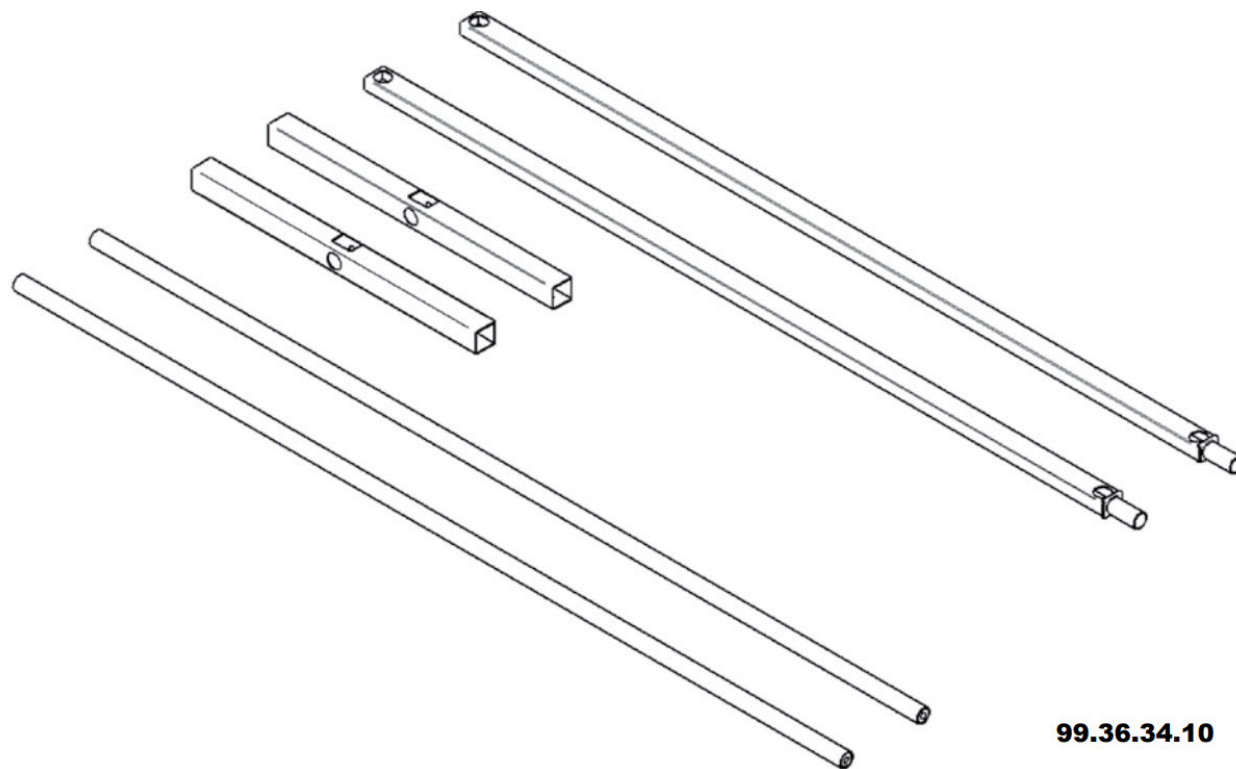


ROBUSTO WELDING SCREEN

DIMENSIONS ROBUSTO TRIPTYCH SCREEN SWIVEL ARMS 110 CM



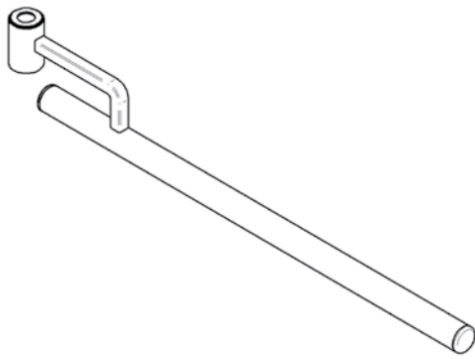
PART LIST - BASIC PARTS ROBUSTO WELDING SCREEN



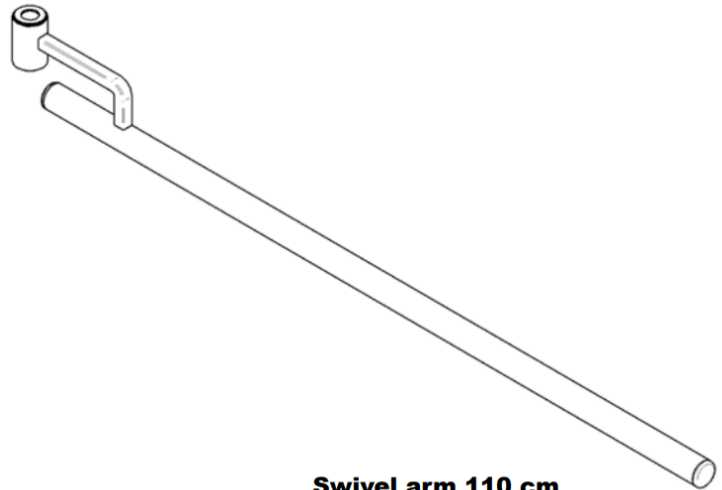
99.36.34.10

ROBUSTO WELDING SCREEN

PART LIST - SWIVEL ARMS ROBUSTO WELDING SCREEN











Swivel arm 70 cm
30.01.32.07



Swivel arm 110 cm
30.01.32.11

PART LIST ACCESSOIRES ROBUSTO WELDING SCREEN

| 50x50 | Ø35 | 75 mm | 75 mm |
|---|---|--|---|
|  |  |  |  |
| 4x | 2x | 2x | 2x |
| Cap end PVC 99.30.05.3202 | Cap end PVC 99.30.05.3201 | Castor without break 30.04.32.00 | Castor with break 30.04.32.01 |

| M16x30 | M16 | M10x20 | M10 |
|---|---|---|---|
|  |  |  |  |
| 4x | 4x | 4x | 4x |

Set fasteners basic screen

ROBUSTO WELDING SCREEN

MOUNTING INSTRUCTION ROBUSTO WELDING SCREEN

